



## FIRE HYDRANT DRAWINGS

PROPOSED BTFEC(BHUTAN TRUST FUND FOR ENVIRONMENT CONSERVATION) OFFICE BUILDING

Owner - BTFEC

Thram No. - \_\_\_\_\_

Plot No. - \_\_\_\_\_

Location - NEAR NAZHOEN PELRI COMPLEX



**JOB NO.1**

**PROJECT TITLE:**  
 PROPOSED BT FEC/(BHUTAN TRUST FUND FOR ENVIRONMENTAL CONSERVATION) OFFICE BUILDING

**CLIENT**  
 BHUTAN TRUST FUND FOR ENVIRONMENTAL CONSERVATION(BTFEC)



UNITED CONSULTANCY

**DESIGNERS/ ARCHITECTS**

SONAM TSHERING  
 SINGAY DADUEL  
 PHUB OM

**STRUCTURAL ENGINEERS**

SAGAR TIRWA  
 DECHEN DOLKAR  
 PRASHANT DHITAL  
 NAMGAY TSHERING

**ELECTRICAL ENGINEERS**

KINLEY TENZIN

**SANITARY ENGINEERS**

SONAM TSHERING

**LANDSCAPE ARCHITECTS**

KARMA T. WANGCHUK

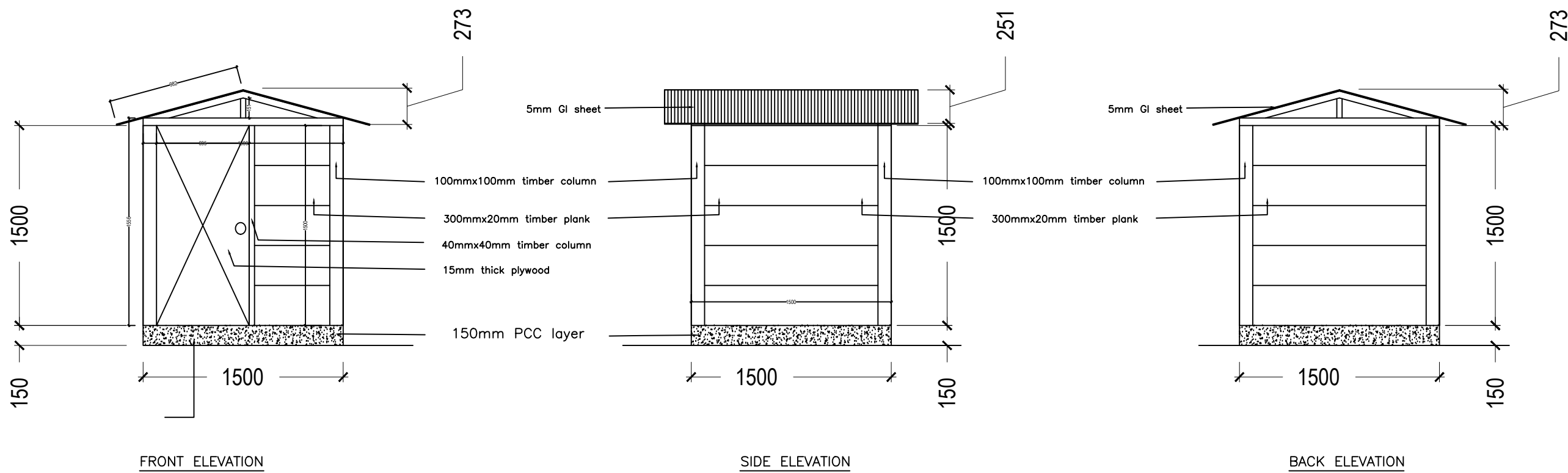
**INTERIOR DESIGNER**

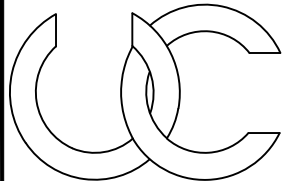
REVISIONS	DATE

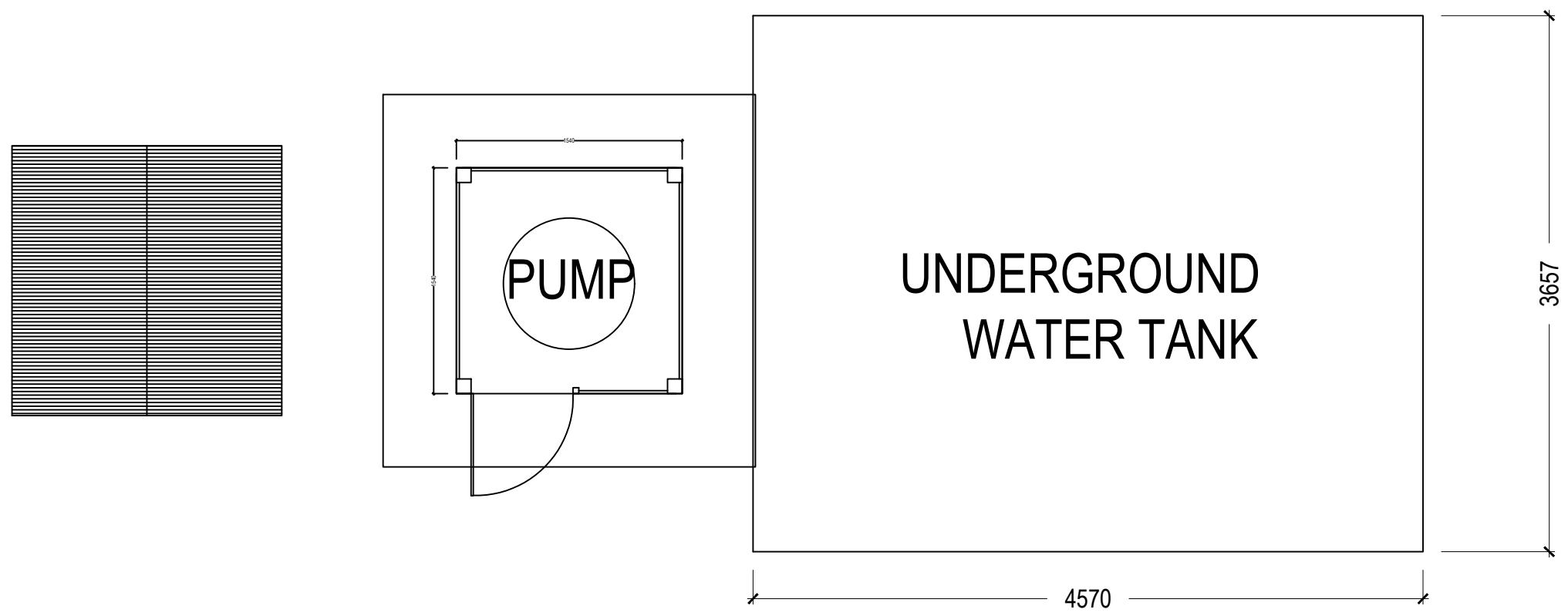
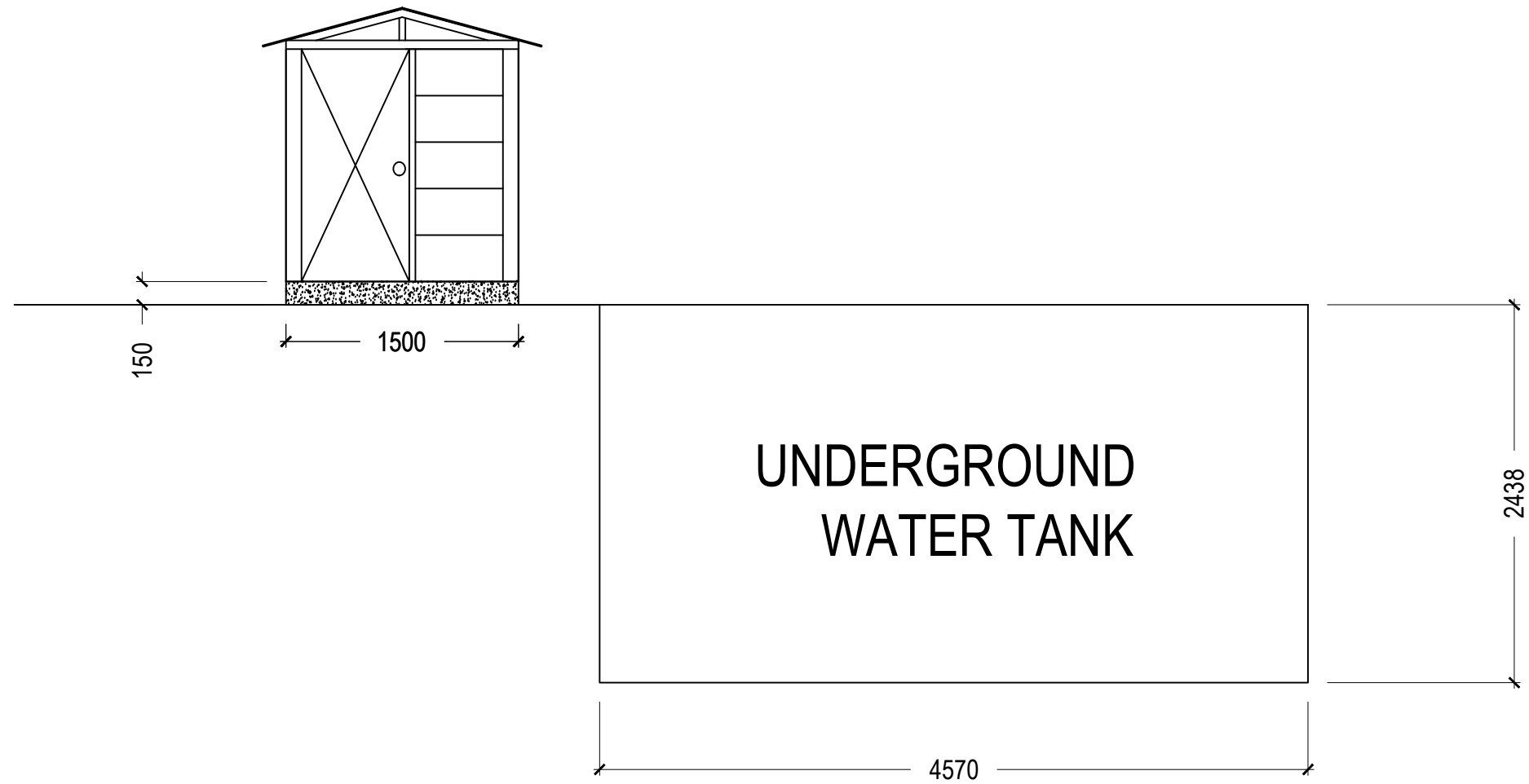
SUBMISSION	
DRAWING TITLE	SCALE
FIRE HYDRANT LAYOUT	NTS

DRAWN -	DRAWING NO.
CHECKED -	
APPROVED -	
DATE - NOV-2019	
FILE -	

**NOTE:**  
 ALL DIMENSIONS ARE IN MILLIMETERS UNLESS SPECIFIED OTHERWISE  
 ALL DIMENSIONS MEASURE UNFINISHED SURFACES UNLESS SPECIFIED OTHERWISE  
 ALL DIMENSIONS ARE TO BE READ AND NOT SCALE OFF  
 ANY DISCREPANCY IN DRAWING IS TO BE BROUGHT TO THE IMMEDIATE NOTICE OF THE ARCHITECT AND THE ENGINEER



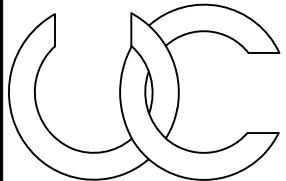
<b>JOB NO.1</b>	
<b>PROJECT TITLE:</b> PROPOSED BTFC(BHUTAN TRUST FUND FOR ENVIRONMENTAL CONSERVATION) OFFICE BUILDING	
<b>CLIENT</b> BHUTAN TRUST FUND FOR ENVIRONMENTAL CONSERVATION(BTFEC)	
 UNITED CONSULTANCY	
<b>DESIGNERS/ ARCHITECTS</b>	
SONAM TSHERING	<input type="checkbox"/>
SINGAY DADUEL	<input type="checkbox"/>
PHUB OM	<input type="checkbox"/>
<b>STRUCTURAL ENGINEERS</b>	
SAGAR TIRWA	<input type="checkbox"/>
DECHEN DOLKAR	<input type="checkbox"/>
PRASHANT DHITAL	<input type="checkbox"/>
NAMGAY TSHERING	<input type="checkbox"/>
<b>ELECTRICAL ENGINEERS</b>	
KINLEY TENZIN	<input type="checkbox"/>
<b>SANITARY ENGINEERS</b>	
SONAM TSHERING	<input type="checkbox"/>
<b>LANDSCAPE ARCHITECTS</b>	
KARMA T. WANGCHUK	<input type="checkbox"/>
<b>INTERIOR DESIGNER</b>	
	<input type="checkbox"/>
<b>REVISIONS</b>	<b>DATE</b>
<b>SUBMISSION</b>	
<b>DRAWING TITLE</b>	<b>SCALE</b>
FIRE HYDRANT LAYOUT	NTS
<b>DRAWN -</b> _____	<b>DRAWING NO.</b>
<b>CHECKED -</b> _____	
<b>APPROVED-</b> _____	
<b>DATE - NOV-2019</b>	
<b>FILE -</b> _____	
<b>NOTE:</b> ALL DIMENSIONS ARE IN MILLIMETERS UNLESS SPECIFIED OTHERWISE ALL DIMENSIONS MEASURE UNFINISHED SURFACES UNLESS SPECIFIED OTHERWISE ALL DIMENSIONS ARE TO BE READ AND NOT SCALE OFF ANY DISCREPANCY IN DRAWING IS TO BE BROUGHT TO THE IMMEDIATE NOTICE OF THE ARCHITECT AND THE ENGINEER	



**JOB NO.1**

**PROJECT TITLE:**  
 PROPOSED BT FEC(BHUTAN TRUST FUND FOR ENVIRONMENTAL CONSERVATION) OFFICE BUILDING

**CLIENT**  
 BHUTAN TRUST FUND FOR ENVIRONMENTAL CONSERVATION(BT FEC)



UNITED CONSULTANCY

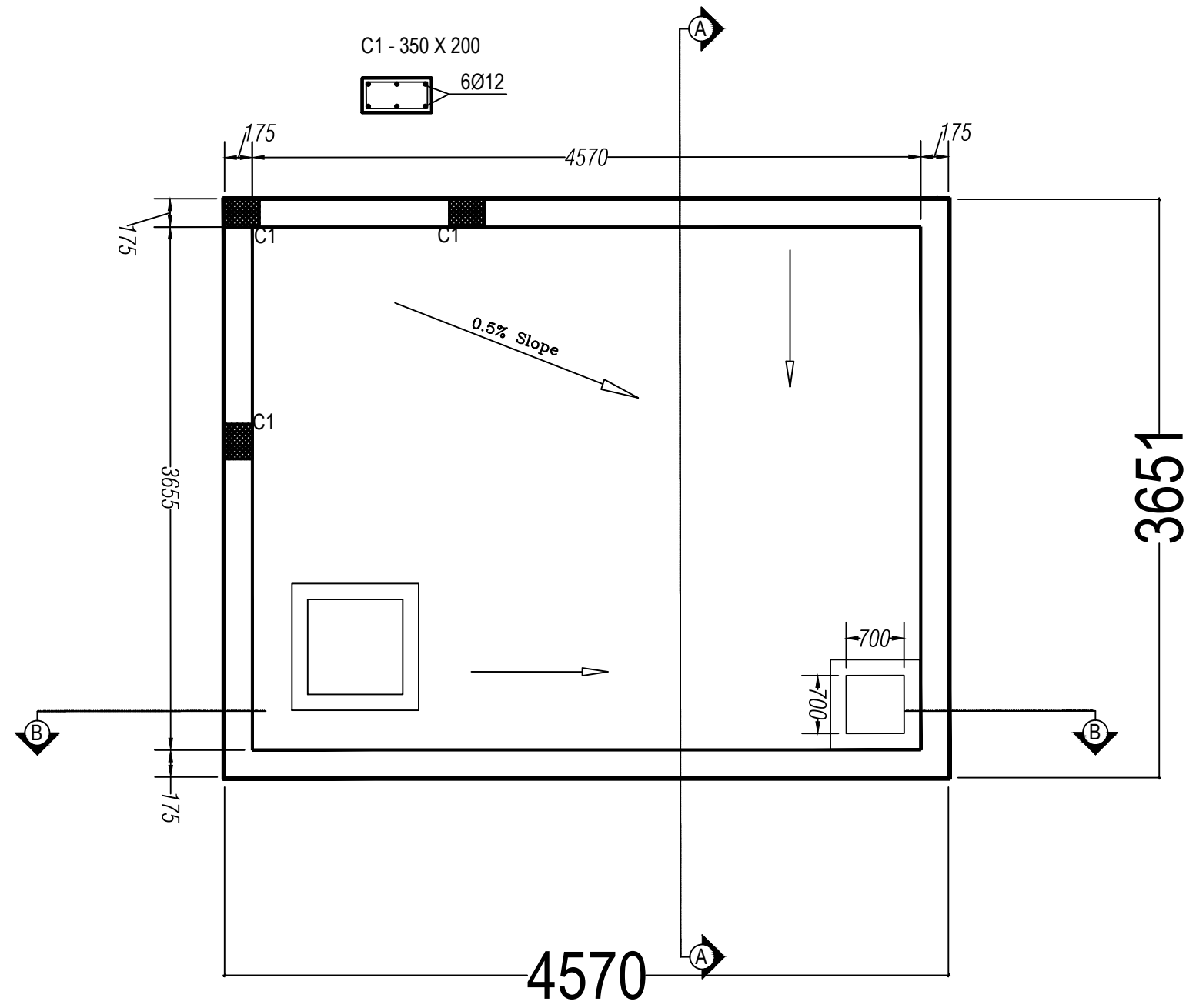
DESIGNERS/ ARCHITECTS	
SONAM TSHERING	<input type="checkbox"/>
SINGAY DADJEL	
PHUB OM	
STRUCTURAL ENGINEERS	
SAGAR TIRWA	<input type="checkbox"/>
DECHEN DOLKAR	
PRASHANT DHITAL	
NAMGAY TSHERING	
ELECTRICAL ENGINEERS	
KINLEY TENZIN	<input type="checkbox"/>
SANITARY ENGINEERS	
SONAM TSHERING	<input type="checkbox"/>
LANDSCAPE ARCHITECTS	
KARMA T. WANGCHUK	<input type="checkbox"/>
INTERIOR DESIGNER	
	<input type="checkbox"/>

REVISIONS	DATE

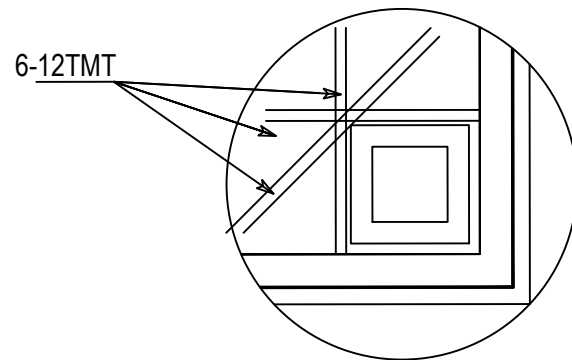
SUBMISSION	
DRAWING TITLE	SCALE
FIRE HYDRANT LAYOUT	NTS

DRAWN - _____	DRAWING NO.
CHECKED - _____	
APPROVED- _____	
DATE - NOV-2019	
FILE - _____	

**NOTE:**  
 ALL DIMENSIONS ARE IN MILLIMETERS UNLESS SPECIFIED OTHERWISE  
 ALL DIMENSIONS MEASURE UNFINISHED SURFACES UNLESS SPECIFIED OTHERWISE  
 ALL DIMENSIONS ARE TO BE READ AND NOT SCALE OFF  
 ANY DISCREPANCY IN DRAWING IS TO BE BROUGHT TO THE IMMEDIATE NOTICE OF THE ARCHITECT AND THE ENGINEER



**PLAN OF FIRE FIGHTING WATER TANK**



**JOB NO.1**

**PROJECT TITLE:**  
PROPOSED BT FEC(BHUTAN TRUST FUND FOR ENVIRONMENTAL CONSERVATION) OFFICE BUILDING

**CLIENT**  
BHUTAN TRUST FUND FOR ENVIRONMENTAL CONSERVATION(BTFEC)

UNITED CONSULTANCY

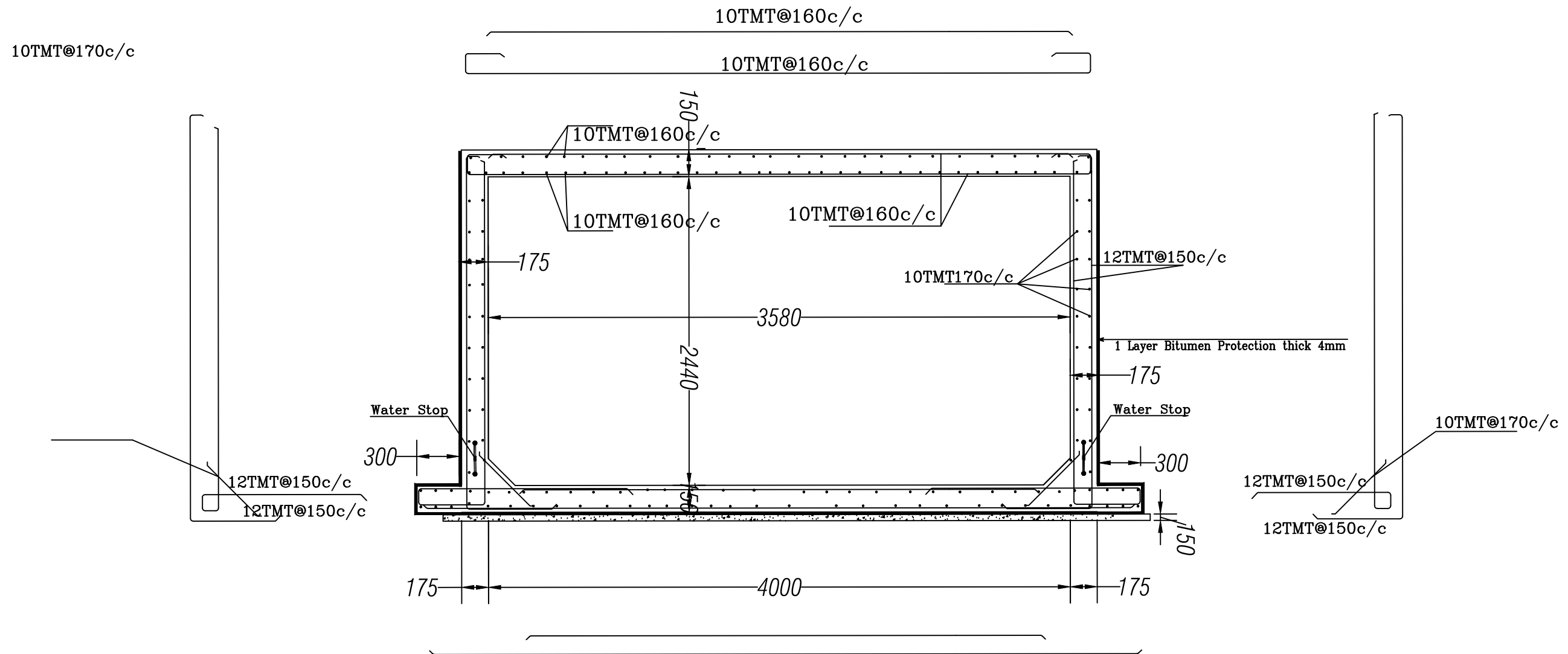
DESIGNERS/ ARCHITECTS	
SONAM TSHERING	
SINGAY DADJEL	<input type="checkbox"/>
PHUB OM	
STRUCTURAL ENGINEERS	
SAGAR TIRWA	
DECHEN DOLKAR	<input type="checkbox"/>
PRASHANT DHITAL	
NAMGAY TSHERING	
ELECTRICAL ENGINEERS	
KINLEY TENZIN	<input type="checkbox"/>
SANITARY ENGINEERS	
SONAM TSHERING	<input type="checkbox"/>
LANDSCAPE ARCHITECTS	
KARMA T. WANGCHUK	<input type="checkbox"/>
INTERIOR DESIGNER	
	<input type="checkbox"/>

REVISIONS	DATE

SUBMISSION	
DRAWING TITLE	SCALE
FIRE HYDRANT LAYOUT	NTS

DRAWN - _____	DRAWING NO.
CHECKED - _____	
APPROVED- _____	
DATE - NOV-2019	
FILE - _____	

**NOTE:**  
ALL DIMENSIONS ARE IN MILLIMETERS UNLESS SPECIFIED OTHERWISE  
ALL DIMENSIONS MEASURE UNFINISHED SURFACES UNLESS SPECIFIED OTHERWISE  
ALL DIMENSIONS ARE TO BE READ AND NOT SCALE OFF  
ANY DISCREPANCY IN DRAWING IS TO BE BROUGHT TO THE IMMEDIATE NOTICE OF THE ARCHITECT AND THE ENGINEER

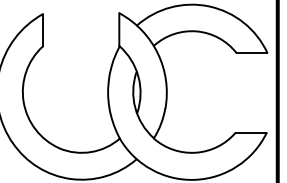


**SECTION A - A**

JOB NO.1

PROJECT TITLE:  
PROPOSED BTFFC(BHUTAN TRUST FUND  
FOR ENVIRONMENTAL CONSERVATION)  
OFFICE BUILDING

CLIENT  
BHUTAN TRUST FUND FOR  
ENVIRONMENTAL CONSERVATION(BTFEC)



UNITED CONSULTANCY

DESIGNERS/ ARCHITECTS

SONAM TSHERING

SINGAY DADJEL

PHUB OM

STRUCTURAL ENGINEERS

SAGAR TIRWA

DECHEN DOLKAR

PRASHANT DHITAL

NAMGAY TSHERING

ELECTRICAL ENGINEERS

KINLEY TENZIN

SANITARY ENGINEERS

SONAM TSHERING

LANDSCAPE ARCHITECTS

KARMA T. WANGCHUK

INTERIOR DESIGNER

REVISIONS

DATE

SUBMISSION

DRAWING TITLE

SCALE

FIRE HYDRANT LAYOUT

NTS

DRAWN -

DRAWING NO.

CHECKED -

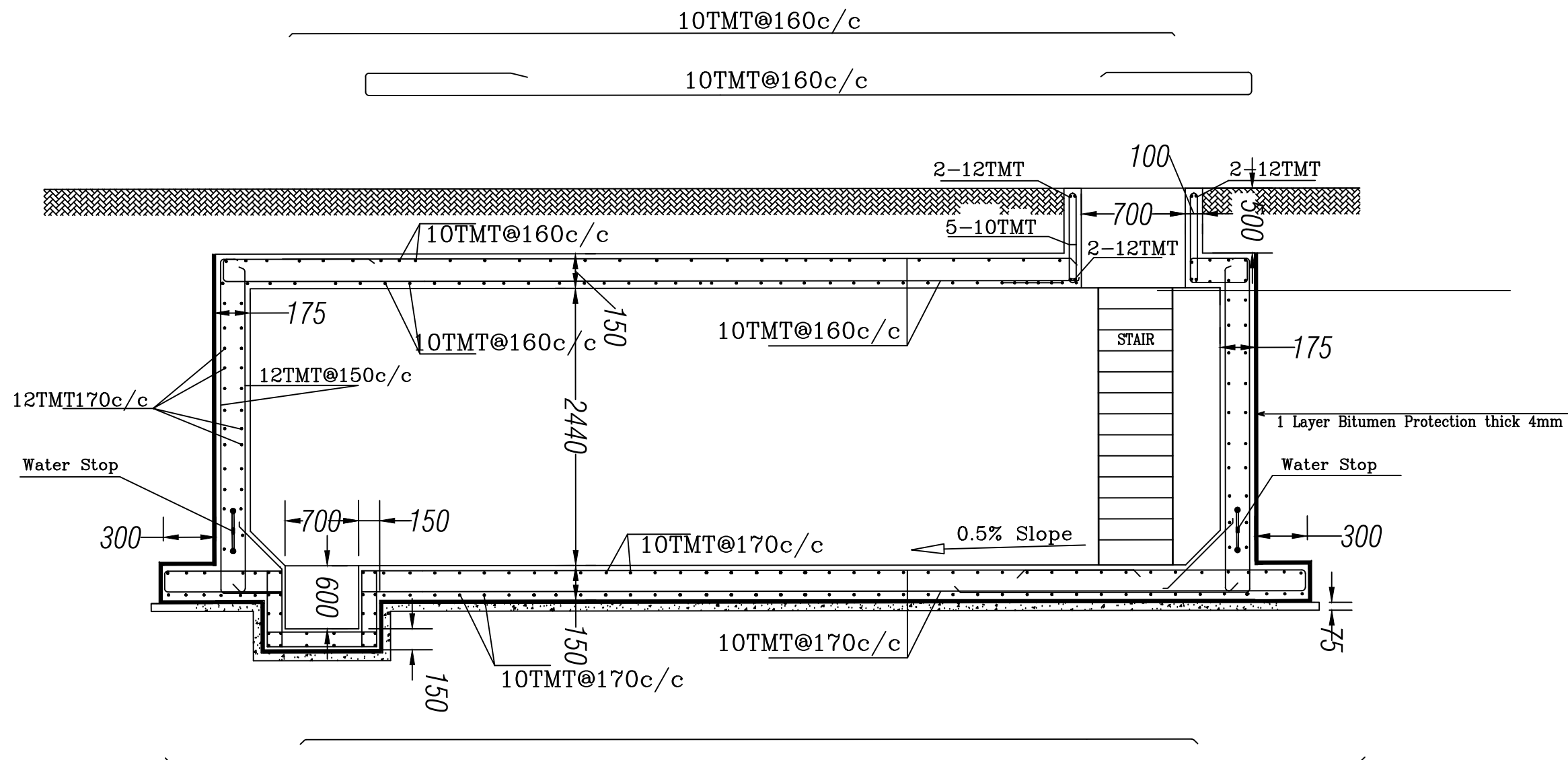
APPROVED-

DATE - NOV-2019

FILE -

NOTE:

ALL DIMENSIONS ARE IN MILLIMETERS UNLESS SPECIFIED OTHERWISE  
ALL DIMENSIONS MEASURE UNFINISHED SURFACES UNLESS SPECIFIED OTHERWISE  
ALL DIMENSIONS ARE TO BE READ AND NOT SCALE OFF  
ANY DISCREPANCY IN DRAWING IS TO BE BROUGHT TO THE IMMEDIATE NOTICE OF THE ARCHITECT AND THE ENGINEER



**SECTION B - B**

10TMT@170c/c

12TMT@150c/c  
12TMT@150c/c

12TMT@150c/c  
12TMT@150c/c

10TMT@170c/c

JOB NO.1

PROJECT TITLE:  
PROPOSED BT FEC(BHUTAN TRUST FUND FOR ENVIRONMENTAL CONSERVATION) OFFICE BUILDING

CLIENT  
BHUTAN TRUST FUND FOR ENVIRONMENTAL CONSERVATION(BTFEC)

UNITED CONSULTANCY

DESIGNERS/ ARCHITECTS	
SONAM TSHERING	
SINGAY DADJEL	<input type="checkbox"/>
PHUB OM	

STRUCTURAL ENGINEERS	
SAGAR TIRWA	
DECHEN DOLKAR	<input type="checkbox"/>
PRASHANT DHITAL	
NAMGAY TSHERING	

ELECTRICAL ENGINEERS	
KINLEY TENZIN	<input type="checkbox"/>

SANITARY ENGINEERS	
SONAM TSHERING	<input type="checkbox"/>

LANDSCAPE ARCHITECTS	
KARMA T. WANGCHUK	<input type="checkbox"/>

INTERIOR DESIGNER	
	<input type="checkbox"/>

REVISIONS	DATE

SUBMISSION	
DRAWING TITLE	SCALE
FIRE HYDRANT LAYOUT	NTS

NOTE:  
ALL DIMENSIONS ARE IN MILLIMETERS UNLESS SPECIFIED OTHERWISE  
ALL DIMENSIONS MEASURE UNFINISHED SURFACES UNLESS SPECIFIED OTHERWISE  
ALL DIMENSIONS ARE TO BE READ AND NOT SCALE OFF  
ANY DISCREPANCY IN DRAWING IS TO BE BROUGHT TO THE IMMEDIATE NOTICE OF THE ARCHITECT AND THE ENGINEER

DRAWN -	DRAWING NO.
CHECKED -	
APPROVED-	
DATE - NOV-2019	
FILE -	